



⚠ WARNING!

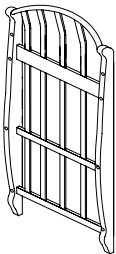
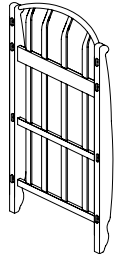

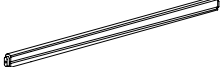



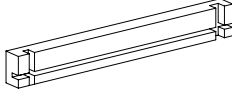
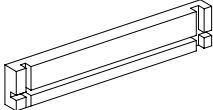



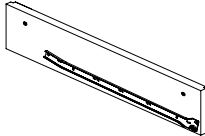
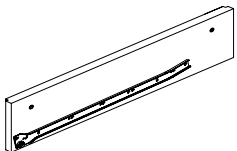
READ ALL INSTRUCTIONS BEFORE ASSEMBLING THE CHANGING TABLE; KEEP THE INSTRUCTIONS FOR FUTURE USE.

ASSEMBLY TIPS:

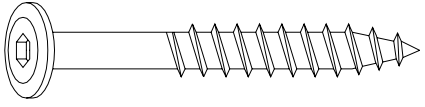
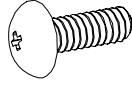
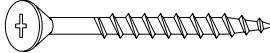
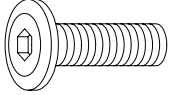

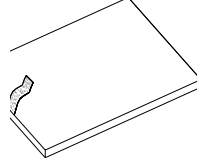
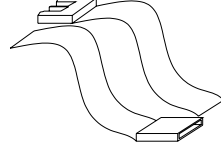
- Do not use the changing table if it is damaged or broken.
- Always secure the child with the safety strap.
- This product is for home use and is not intended to use in schools, day care centers or other commercial establishments.
- Must be assembled by a capable adult.
- Retain a child with a body weight up to 20 lbs.
- Remove hardware from box and sort by size check to see that all hardware and wooden pieces are present before assembling.
- Follow instructions listed below in the proper sequence as numbered to assure fast, easy and correct assembly.

⚠ WARNING! FALL HAZARD- To prevent death or serious injury, always keep child within arm's reach.

◆ PARTS IDENTIFICATION

<p>A. Left end Panel (1 pc)</p> 	<p>B. Right end Panel (1 pc)</p> 	<p>C. Security Rail (2 pcs)</p> 	<p>D. Top Shelf Rail (2 pcs)</p> 	<p>E. Lower Shelf Rail (4 pcs)</p> 
<p>F. Shelf Board (3 pcs)</p> 	<p>G. Drawer Front (1 pc)</p> 	<p>H. Drawer Left (1 pc)</p> 	<p>I. Drawer Right (1 pc)</p> 	
<p>J. Drawer Back (1 pc)</p> 	<p>K. Drawer Front Support (1 pc)</p> 	<p>L. Driver Button (1 pc)</p> 	<p>M. Right Side Track (1 pc)</p> 	<p>N. Left Side Track (1 pc)</p> 

◆ **HARDWARE**

<p>1. Screw 2"X 1/4" (16 pcs)</p> 	<p>2. Screw 5/8"X5/32 (2 pcs)</p> 	<p>3. Screw 1"X1/8" (8 pcs)</p> 	<p>4. Bolt 1/4"X1-7/8" (4 pcs)</p> 
<p>5. Wench (1 pc)</p> 	<p>6. Pad (1 pc)</p> 	<p>7. Safety straps (1 pc)</p> 	<p>8. Support Bracket (1 pc)</p> 